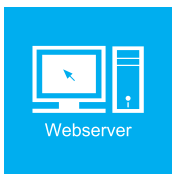


# UltraMatch

## Iris Recognition System



**ANVIZ Iris Reader** with built-in RFID card reader module can output stable Wiegand signal to integrate with distributed access controller such as DAC844 and SC021, to supply the most stable and safest access control system.

**BioNANO**  
Core Algorithm  
Fingerprint - Facial - Iris  
Access in less than  
1 second

## Features

Iris identification reader

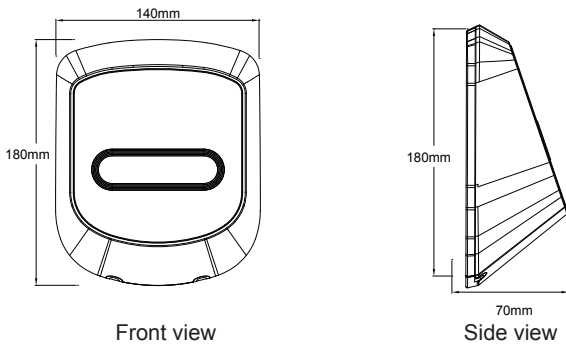
Wiegand in and out

Webserver convenient for register and configuration

Upload and download through TCP/IP

Tamper alarm output

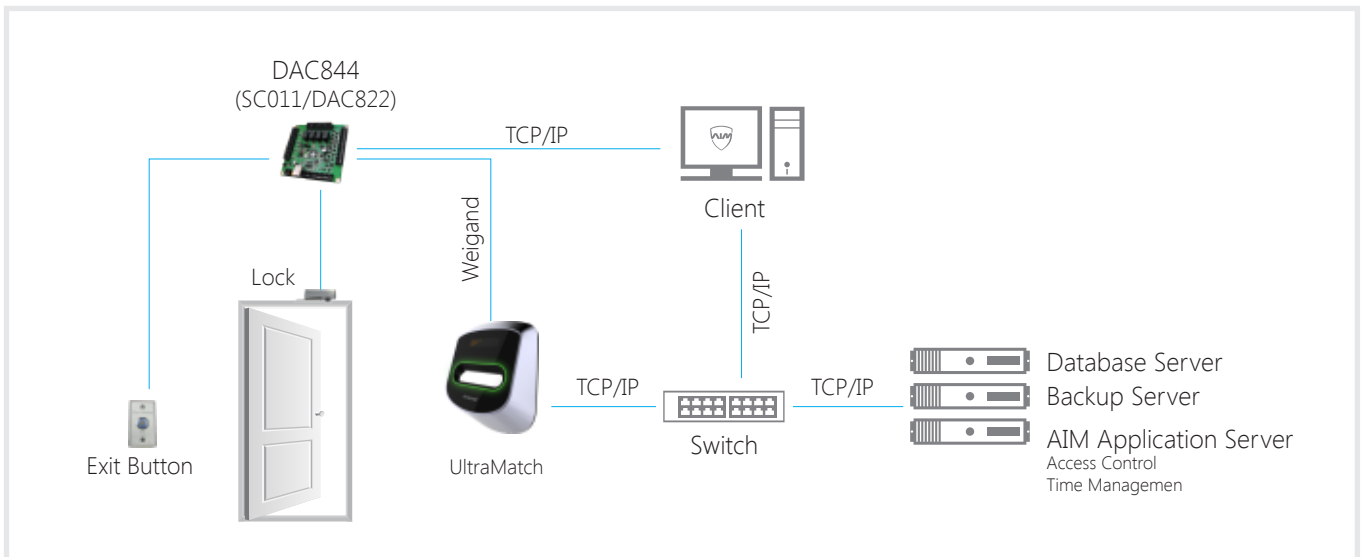
## Dimensions



## Specifications

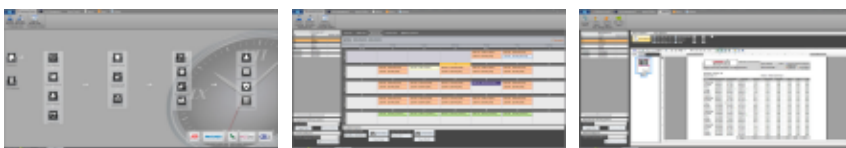
Item	Description
User Capacity	150
Log Capacity	50000
LCD Area	128mm x 32mm
Camera	Single
Identification Mode	Iris, Card
FAR	≤0.1%
Identification Time	≤1s (1:150)
Web Server	Y
Tamper Alarm	Y
Identification Distance	25cm
Identification Ratio	≥99%
Communication Interface	TCP/IP,AP
Power Supply	DC 12V

## Network Configuration



## Anviz Intelligent Management

AIM is a software platform available for all Anviz products including time and attendance, access control, smart lock and distributed access controller. It provides remote control, network manage and mobile solutions for different users.



- Individual reports to manage users, work hours, tardiness, absence and overtime
- Group and time zone setting, access time restriction by access group setting
- Wiegand input and output setting, real time monitoring
- Compatible with payroll software such as PAYCHEX, ADP, QuickBooks, etc
- Flexible company department setting